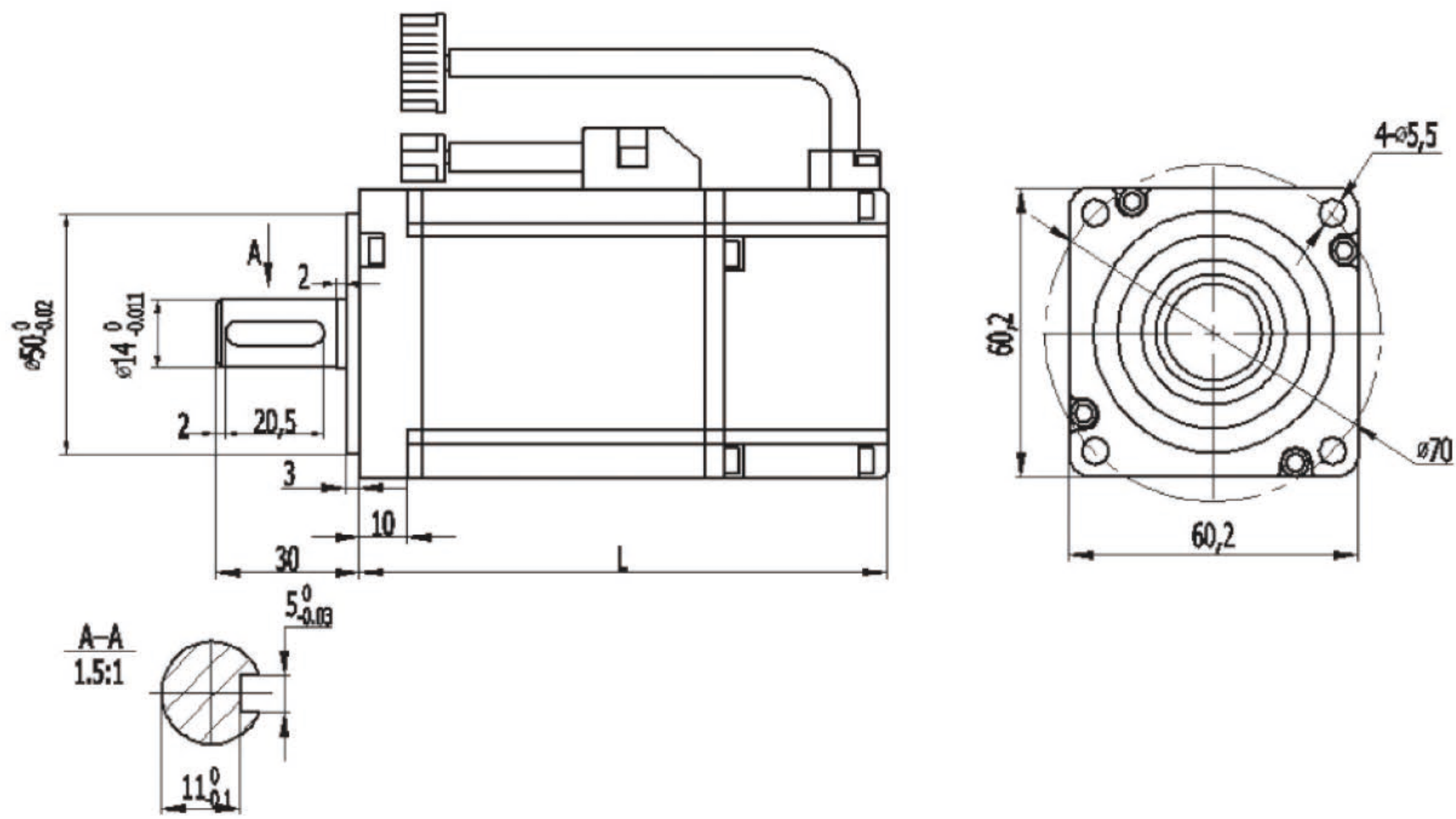


# 60系列伺服电机 60 Servo Motor Series

## 尺寸说明 Size Specification



## 安装尺寸 Installation dimensions

额定转矩 (N·m) Rated torque	L 不带抱闸 Without brake (mm)	L 带永磁抱闸 With permanent magnetic brake (mm)
0.637	116	164
1.27	139.5	189
1.91	169	217

## 电机参数 Motor Parameters

电机型号 Motor type	60ST -M00630	60ST -M01330	60ST -M01930
额定功率 (W) Rated power	200	400	600
额定线电压 (V) Rated voltage	220	220	220
额定线电流 (A) Rated current	1.5	2.8	3.5
额定转速 (rpm) Rated speed	3000	3000	3000
额定力矩 (N.m) Rated torque	0.637	1.27	1.91
峰值力矩 (N.m) Peak torque	1.911	3.8	5.73
反电势 (V/Krpm) Voltage constant	28	28	28
力矩系数 (N.m/A) Torque coefficient	0.42	0.5	0.55
转子惯量 (Kg.m <sup>2</sup> ) Rotor inertia	0.17×10 <sup>-4</sup>	0.302×10 <sup>-4</sup>	0.438×10 <sup>-4</sup>
绕组 (线间) 电阻(Ω) Line-Line resistace	11.6	5.83	3.49
绕组 (线间) 电感 (mH) Line-Line inductance	22	12.23	8.47
电气时间常数 (ms) Electrical time constant	1.9	2.1	2.4
重量 (Kg) Weight	1.11	1.33	1.78
电机绝缘等级 Insulation class	Class F		
防护等级 Safety class	IP65		
使用环境 The operating of environmrntal conditions	环境温度: 20℃~+50℃ 环境湿度: < 90% (不结霜条件) Temperature: -20° ~+50°; Humidity:Below 90% RH No dewing		